



Indoor Comfort Products Brought to You
by the Manufactured Home Experts!

RG1D 80% AFUE Downflow MH Gas Furnaces



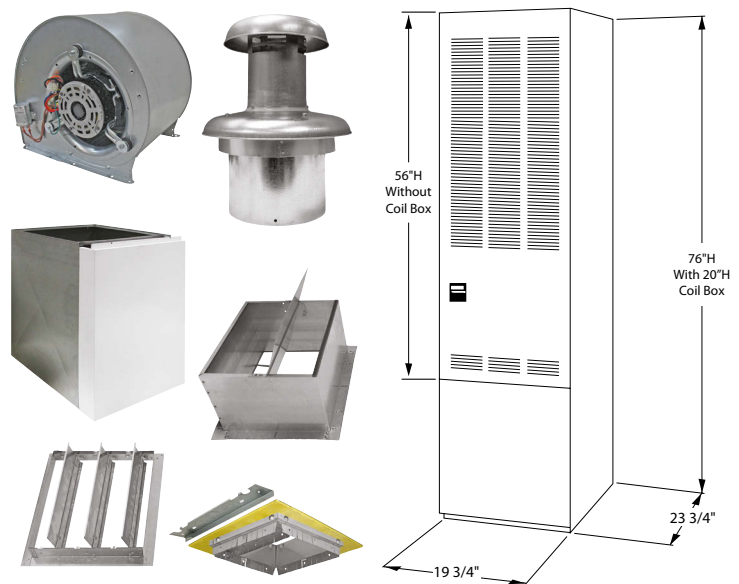
Unique Manufactured Housing Design with a robust, 19 $\frac{3}{4}$ "W, fully-insulated cabinet to fit the standard MH footprint; the RG1 is our most economical, HUD-compliant, gas furnace.

AC-Ready Options include a factory-installed 20"H coil box, field-installed 20"/26"H coil box, and PSC blower upgrades to 5-Tons nominal cooling. (See Split System sell sheets for coil fit and AHRI-rated matches.)

Quick LP Conversion with an easy-access inducer assembly and gas valve, using the factory-provided LP orifice included in the unit-literature kit.

Numerous Application Accessories save the hassle of field-fabrication, sourcing and repeat supply-house trips; on new or replacement jobs.

Dependable Warranty and Support, handled directly by Style Crest's dedicated HVAC Team, offering the most competitive warranty coverage and service in the Manufactured Housing Industry.



This furnace does not meet the SCAQMD Rule IIII NO_x emission limit (14 ng/J), and is subject to a mitigation fee of up to \$450. This furnace is not eligible for the Clean Air Furnace Rebate Program: www.CleanAirFurnaceRebate.com.



www.stylecrestinc.com | 800.945.4440

RGID 80% AFUE Downflow MH Gas Furnaces

SKU and Model #	Coil Box	AHRI Cert. #	Input	Heating Capacity	Ship L	Ship W	Ship H	Ship Wt.	Orifice NG	LP	AC (PSC) Blower	MOC ¹
RGID56N3	No, Optional ¹	8862024	56 MBH	46 MBH	26 1/2"	21 5/16"	58 1/8"	152#	29	45	3-Ton, 1/4hp	15A
RGID70N3	No, Optional ¹	8862042	70 MBH	57 MBH	26 1/2"	21 5/16"	58 1/8"	153#	24	42	3-Ton, 1/4hp	15A
RGID77N3	No, Optional ¹	8862043	77 MBH	62 MBH	26 1/2"	21 5/16"	58 1/8"	149#	21	40	3-Ton, 1/4hp	15A
RGID90N3	No, Optional ¹	8862044	90 MBH	72 MBH	26 1/2"	21 5/16"	58 1/8"	151#	17	36	3-Ton, 1/4hp	15A
RGID56C3	Yes, 20"H	8862024	56 MBH	46 MBH	26 1/2"	21 5/16"	78 1/8"	167#	29	45	3-Ton, 1/4hp	15A
RGID70C3	Yes, 20"H	8862042	70 MBH	57 MBH	26 1/2"	21 5/16"	78 1/8"	168#	24	42	3-Ton, 1/4hp	15A
RGID77C3	Yes, 20"H	8862043	77 MBH	62 MBH	26 1/2"	21 5/16"	78 1/8"	164#	21	40	3-Ton, 1/4hp	15A
RGID90C3	Yes, 20"H	8862044	90 MBH	72 MBH	26 1/2"	21 5/16"	78 1/8"	166#	17	36	3-Ton, 1/4hp	15A
RGID56N4	No, Optional ¹	8862055	56 MBH	46 MBH	26 1/2"	21 5/16"	58 1/8"	156#	29	45	4-Ton, 1/2hp	15A
RGID70N4	No, Optional ¹	8862056	70 MBH	57 MBH	26 1/2"	21 5/16"	58 1/8"	157#	24	42	4-Ton, 1/2hp	15A
RGID77N4	No, Optional ¹	8862058	77 MBH	62 MBH	26 1/2"	21 5/16"	58 1/8"	156#	21	40	4-Ton, 1/2hp	15A
RGID90N4	No, Optional ¹	8862059	90 MBH	72 MBH	26 1/2"	21 5/16"	58 1/8"	156#	17	36	4-Ton, 1/2hp	15A
RGID56C4	Yes, 20"H	8862055	56 MBH	46 MBH	26 1/2"	21 5/16"	78 1/8"	171#	29	45	4-Ton, 1/2hp	15A
RGID70C4	Yes, 20"H	8862056	70 MBH	57 MBH	26 1/2"	21 5/16"	78 1/8"	172#	24	42	4-Ton, 1/2hp	15A
RGID77C4	Yes, 20"H	8862058	77 MBH	62 MBH	26 1/2"	21 5/16"	78 1/8"	171#	21	40	4-Ton, 1/2hp	15A
RGID90C4	Yes, 20"H	8862059	90 MBH	72 MBH	26 1/2"	21 5/16"	78 1/8"	171#	17	36	4-Ton, 1/2hp	15A

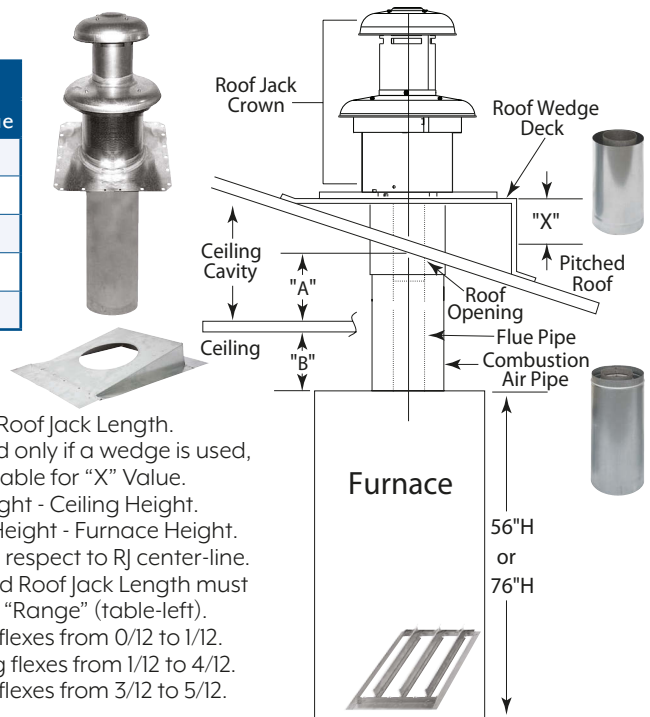
¹) If adding a central air split system, you must also order a separate field-installed coil box, listed in the Application Accessories table below.

Roof Jack Accessories

Total Pitch with RJ Pitch	Roof Wedge		X-Value
0"↑x12"→	2 1/2"↑x12"→	SKU	Qty
2"↑x12"→	4 1/2"↑x12"→	903893	1 (4/Ctn)
2 1/2"↑x12"→	5"↑x12"→		
3"↑x12"→	5 1/2"↑x12"→	903894	1 (4/Ctn)
3 1/2"↑x12"→	6"↑x12"→		
4"↑x12"→	6 1/2"↑x12"→	903895	1 (2/Ctn)

Roof Jack Length Range	Roof / Roof Jack Flashing Pitch		
0"↑x12"→	2 1/2"↑x12"→	4"↑x12"→	
RJ SKU	RJ SKU	RJ SKU	
15"-23"	903658		
21"-35"	903659	903662	
27"-47"	903660	903663	903678A
35"-63"		903664	903665A
51"-95"		920638	903666A

- "A" + "B" + "X" = Roof Jack Length.
- "X" is included only if a wedge is used, see (above) table for "X" Value.
- "A" = Roof Height - Ceiling Height.
- "B" = Ceiling Height - Furnace Height.
- Measure with respect to RJ center-line.
- The calculated Roof Jack Length must be within the "Range" (table-left).
- 0/12 Flashing flexes from 0/12 to 1/12.
- 2 1/2/12 Flashing flexes from 1/12 to 4/12.
- 4/12 Flashing flexes from 3/12 to 5/12.



Application Accessories

Item SKU	Item Description
911969A	Coil Box, 20"H, Field-Installed, Central Air
922594	Coil Box, 26"H, Field-Installed, Central Air
903890	5-Ton AC-Blower Upgrade Kit, 4-Speed
903413	4-Ton AC-Blower Kit, 4-Speed
902521	Ceiling Ring-Halves, Adjustable, 2-Pieces

Item SKU	Item Description
901083	Backflow Damper, 1-Blade, Empty Box
902095	Backflow Damper, 3-Blade, Low Profile
903656	Roof Jack, Crown-Only
See Catalog	Duct Connector, 1 1/4"x1 3/2"xVarious H, EA
See Catalog	Roof Jack Extension, Internal/External