



---

## INSTALLATION GUIDE

---



**800.945.4440**  
[WWW.STYLECRESTINC.COM](http://WWW.STYLECRESTINC.COM)

---

At the bottom of the page, there are two horizontal bars: a top orange bar and a bottom grey bar.

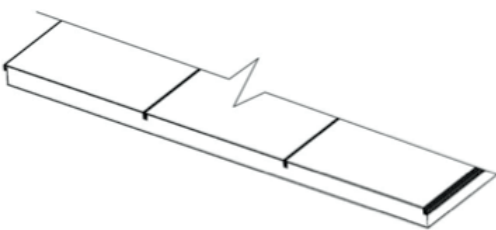




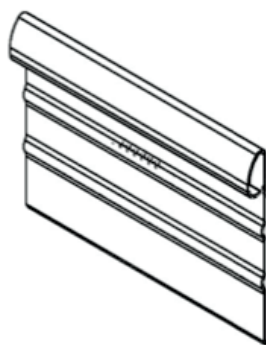
# INSTALLATION GUIDE

## INSTALLATION SUMMARY

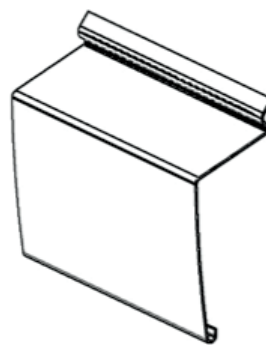
Your new Titan XTERIOR ELITE skirting comes in 12 foot long panels that can be trimmed to length and joined to form a premium skirting cover around your home. The basic installation can be performed in a similar manner to traditional skirting using the same tools and the Style Crest® Titan XTERIOR ELITE vinyl rail system.



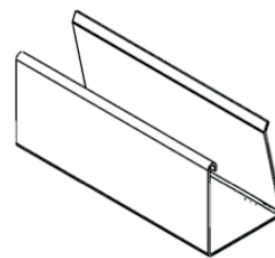
TITAN XTERIOR ELITE PANEL



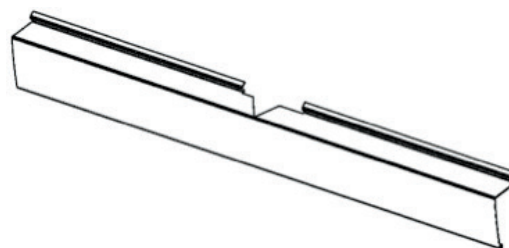
TOP TRIM BACK



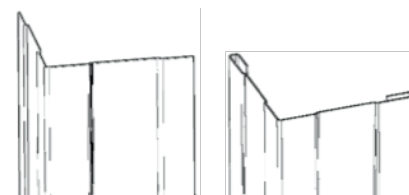
TOP TRIM FRONT



BOTTOM CHANNEL



OPTIONAL PRE-NOTCHED TOP TRIM FRONT



OPTIONAL CORNER BRACKET & COVER

## TOOLS YOU WILL NEED

ALL OPTIONS:
Hammer
Powered Screwdriver
Snips
Plumb Line or Level
Tape Measure
Power Saw with Fine Tooth Blade
Chalk Line
Utility Knife
Straight Edge or Carpenter's Square
Heavy Duty Heat Gun
Snap Lock Tool

## FASTENERS YOU WILL NEED

FASTENER	PART NO.	USE
Ground Spikes	----	Staking Bottom Channel
Nails or Screws	----	Attaching Top Trim Back to Home
1 In. Lg. Hex Head Screws-Black	2995	Joining Panels / Attaching to Home

## IMPORTANT NOTICE

1. It is best to use a power saw with a fine tooth blade mounted with reverse rotation to cut Titan XTERIOR ELITE panels. A utility knife can be used to notch foam if required.
2. Always consult and follow your local building codes when installing any product to your home.

# PERFORMING THE INSTALLATION

## STEP 1

### INSTALL THE BOTTOM CHANNEL

Use a level or plumb line to establish the location of the bottom channel. Locate the tall/backside of the bottom channel directly beneath the outside edge of the home where the top trim back component will be attached (*Figure 1*). Install Style Crest® Skirting Saver (part # 345044) to prevent grass from growing around the base.

Attach the bottom channel directly to the ground through the pre-punched holes (*Figure 2*). Place ground spikes every 24 inches. Extra holes are provided for convenience. A punch may be used to set the last few inches of the spike. Leave a 1/2 inch gap between each section of bottom channel to allow for expansion. The bottom channel can be notched with snips (*Figure 3*) to form clean-looking corners.

**Note:** If installation occurs in areas prone to high wind or where ground is spongy or has not fully settled, it is recommended that the bottom channel be fastened to treated wooden stakes. If installation occurs on concrete, use 3/4 inch long masonry nail or a suitable adhesive in place of the ground spike.

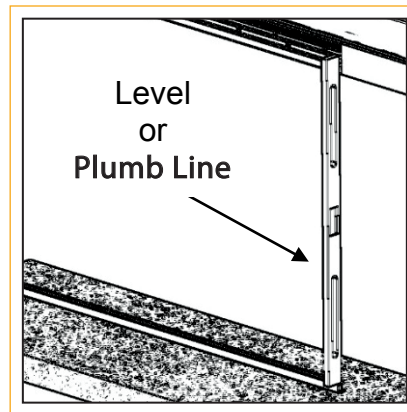


FIGURE 1

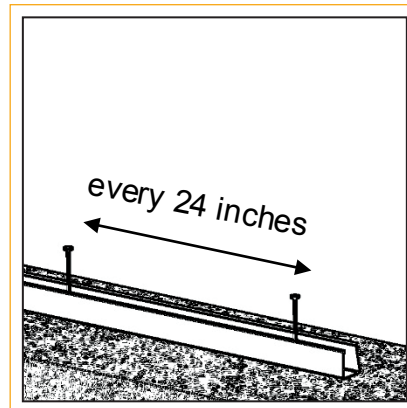


FIGURE 2

## STEP 2

### INSTALL THE TOP TRIM BACK

Locate where the top trim back will mount to your home. The bottom edge of the top trim back can extend below the bottom edge of your home if there is a solid support for nailing and a solid bearing for the top trim front piece against the side of the home.

Use a chalk line or other method to mark a guide line around the home. Attach the top trim back to your home by driving screws or nails in the middle of the slotted hole (*Figure 4*).

Leave a 1/16 inch gap between the screw head and the top trim back to allow it to expand and contract under normal conditions. The fasteners should drive 3/4 inch deep into the mounting surface.

Do not cut top trim back at corners – gently bend to desired angle using a table edge or similar surface as a guide. Cold weather installations may require vinyl to be warmed to room temperature to avoid cracking.

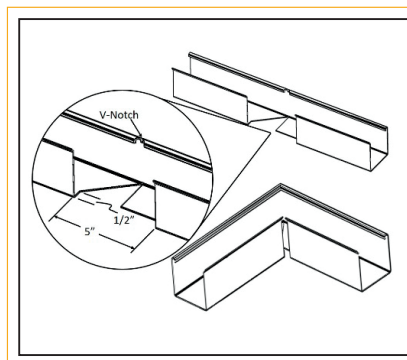


FIGURE 3

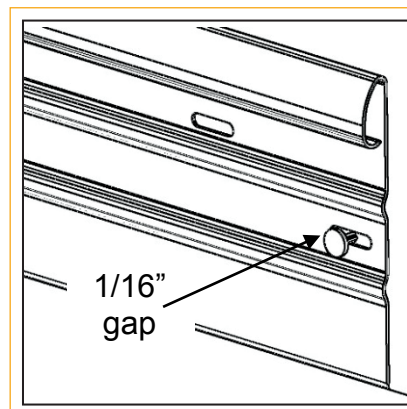


FIGURE 4

# PERFORMING THE INSTALLATION

## STEP 3

### INSTALL THE TITAN XTERIOR ELITE PANEL & TOP TRIM FRONT

Cut the Titan panel to the correct height by measuring from the ground to one of the two ridges on the top trim back. Measure to the bottom ridge during warm weather installation and measure to the top ridge during cold weather installation (*Figure 5*).

Use a snap lock tool to punch locking tabs in the outside bottom of each panel (*Figure 6*). Like conventional skirting, this will allow the Titan panel to “lock” into the bottom channel. Next, lock several Titan panels together and place into the bottom channel (*Figure 7*). Finally, snap the top trim front into place (*Figure 8*). Use the Corners Section of this guide to select a cornering method.

A pre-notched top trim front accessory is available for purchase. It can be hand bent to form corners (*Figures 9 and 10*).

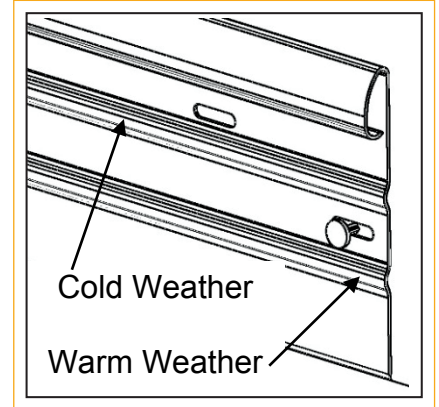


FIGURE 5

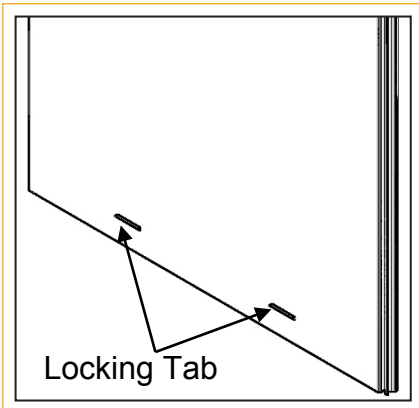


FIGURE 6

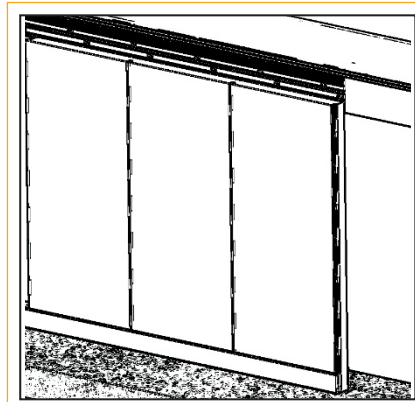


FIGURE 7

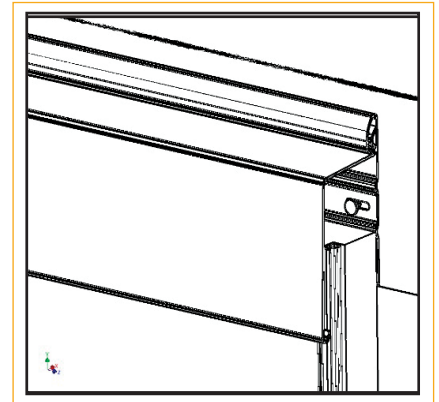


FIGURE 8

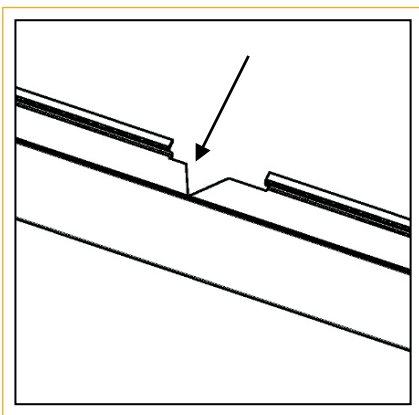


FIGURE 9

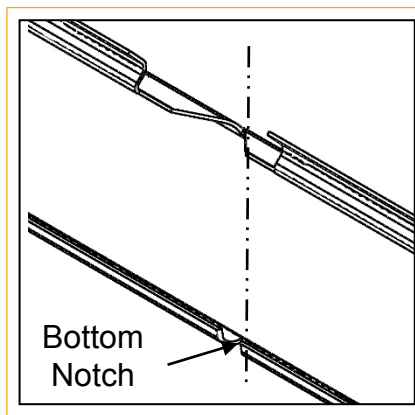


FIGURE 10

# PERFORMING THE INSTALLATION

## PANEL CORNERS

### CORNER CAP METHOD

The Titan corner cap system can be installed in two steps.

#### STEP 1

Place the vinyl corner bracket over the outside of the corner joint and screw into place as shown in *(Figure 11)*. Place screws no more than 16 inches apart – use additional screws if required.

#### STEP 2

Snap or slide the corner cap into place *(Figure 12)*.

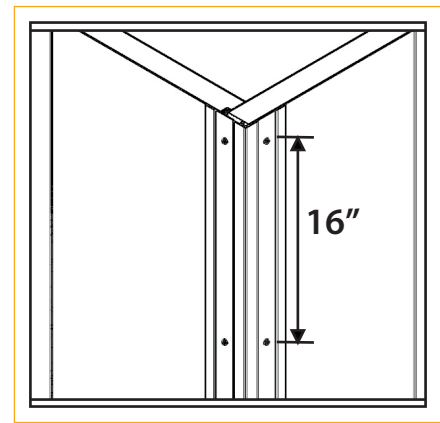


FIGURE 11

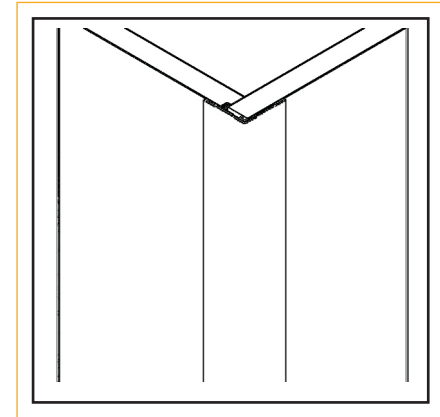


FIGURE 12

### BENT PANEL METHOD

Forming a panel around a corner can be done in two steps.

#### STEP 1

Create a "V" notch in the foam on the backside of the Titan Panel *(Figure 13)*. Take care not to cut into the vinyl surface.

#### STEP 2

Bend the panel at the desired angle to form the seamless corner *(Figure 14)*.

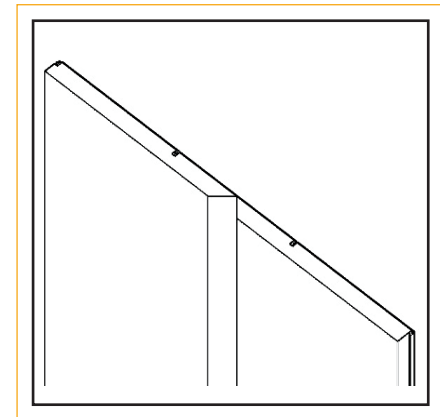


FIGURE 13

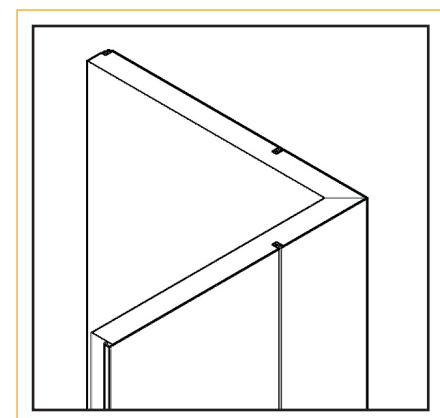


FIGURE 14

# PERFORMING THE INSTALLATION

## VENTILATION

Titan XTERIOR ELITE skirting provides a nearly air tight enclosure when installed by itself. The addition of the Style Crest® venting inserts can add required ventilation to your home's skirting. The width of the vent insert is the same as a single pane of the Titan Elite panel, allowing the vent to be neatly installed in the center of a Titan Elite panel.

### STEP 1

Locate the vent height, then cut a hole in the Titan Elite panel (*Figure 15*).

### STEP 2

Insert the vent and screw into place (*Figure 16*).

***Please consult your local code to determine the correct amount of skirting ventilation required for your home.***

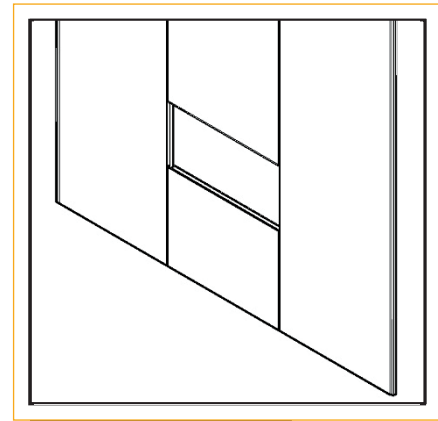


FIGURE 15

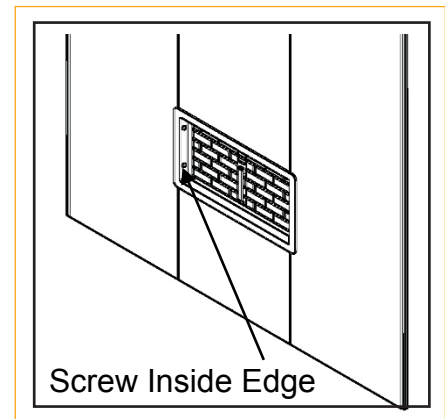


FIGURE 16

