

VINYL SKIRTING
PREFERRED FIELD INSTALLATION INSTRUCTIONS

Vinyl Skirting Preferred Field Installation

Preferred Field Installation Method

Overview: This process provides a secure attachment method for vinyl skirting which meets HUD 3285.504 (b) and (d), which prohibit attaching skirting in a manner to cause water entrapment or impeding siding expansion and contraction.

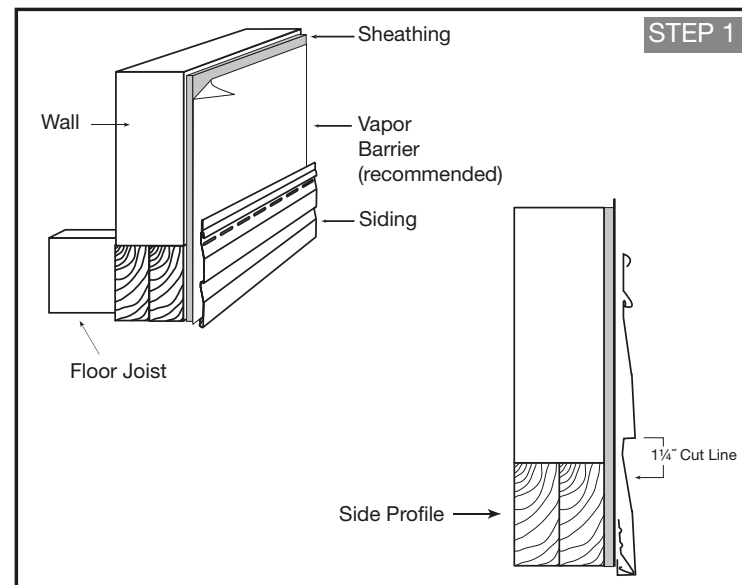
Tools Required: Standard vinyl skirting tools including: Hammer, tape measure, level or plumb bob, snips, chalk line, utility knife, and power saw with fine toothed blade.

Materials Required: Standard skirting installation components, and an acceptable flashing/vapor barrier (recommend Style Crest part # 39FC61201)

If the home construction incorporates a vapor barrier, the additional flashing/vapor barrier may be eliminated. The installer **must** ensure the vapor barrier is intact to prevent water infiltration into the walls of the home.

Step 1: With the home installed and leveled on the homeowner's site, measure 1-1/4" down from the edge of the first profile extension of the lowest course of siding (See diagram) completely around the home. Snap a chalk line at this level and cut away the vinyl siding around the home.

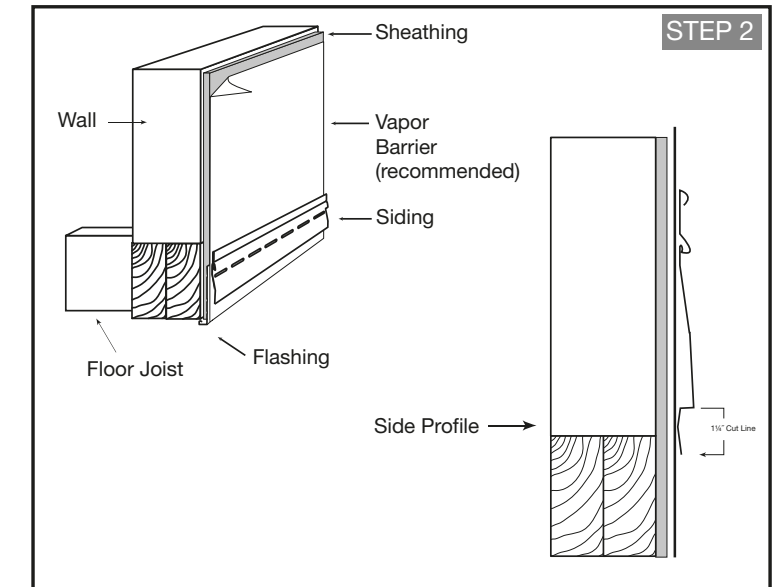
Corner posts may be cut at this height, or left intact, with the panels of the skirting extending into the corner trim receiver. It may be necessary to remove the starter strip to achieve a smooth surface for attaching the skirting.



Step 2: Install the additional flashing/vapor barrier (Style Crest part # 39FC61201) as shown by nailing to the studs of the home.

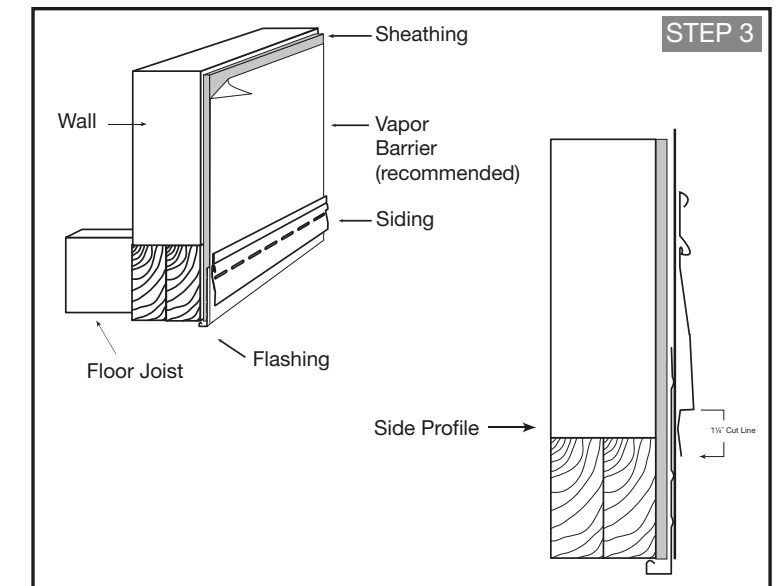
Flashing must extend a minimum of 1-1/4" under the lower cut edge of siding and continue to the bottom edge of the home (See diagram).

If a vapor barrier exists on the home, ensure the vapor barrier is intact, and/or install the additional flashing/vapor barrier (recommended). The additional flashing/vapor barrier must be under the vapor barrier. (See diagram)



Step 3: Install the top back trim of the vinyl skirting with the top of the trim flush with siding profile extension (See diagram) using the skirting installation fasteners.

Be certain the skirting top rail fasteners **do not** penetrate the siding, but are **below** the home siding. (See diagram)



Step 4: Continue installing skirting using manufacturer's recommended procedures to complete the installation. (See diagram)

